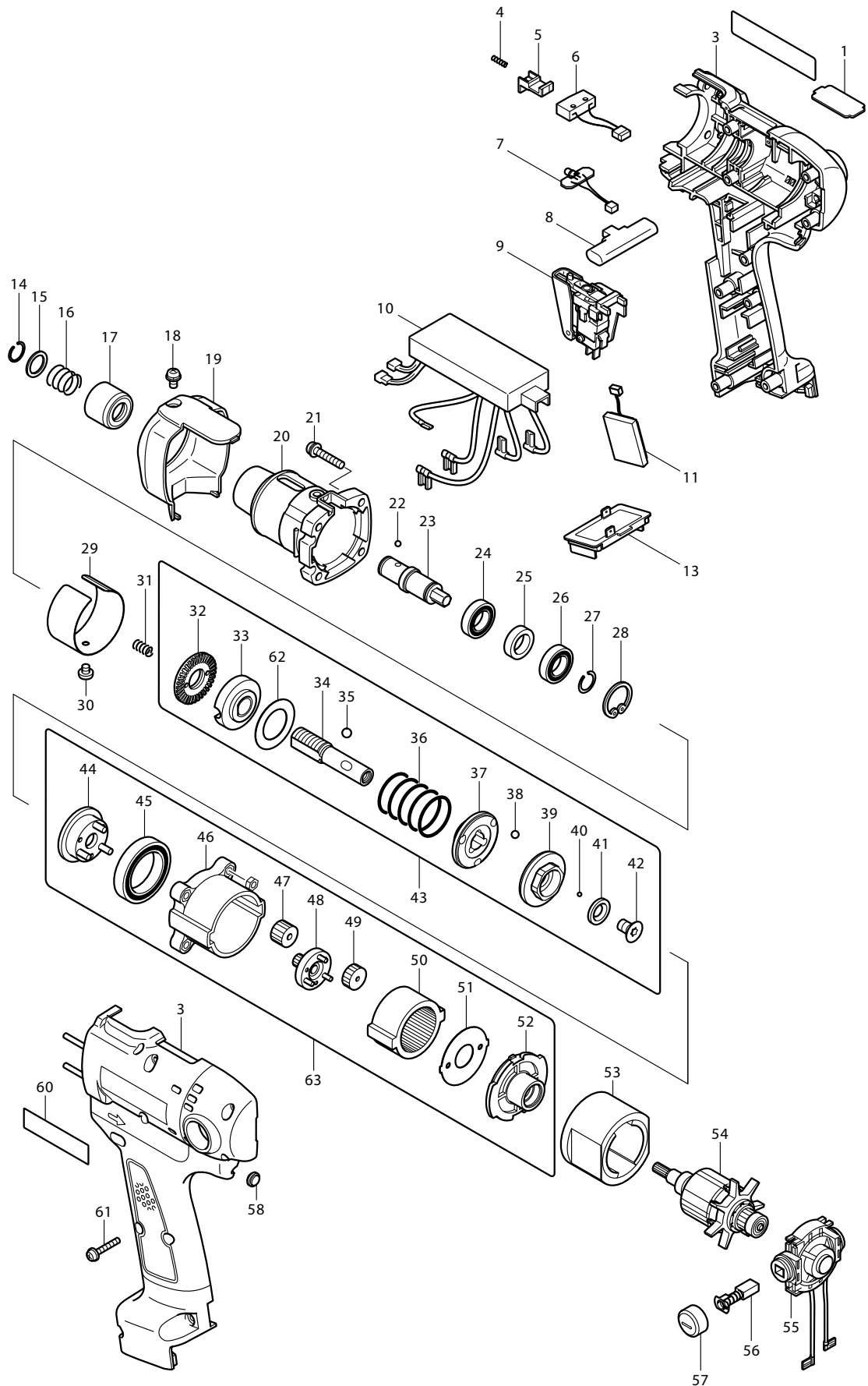




04-2007  
BFT020FZ  
9.6V SCREWDRIVER W/LIGHT



| Item No. | Type | Sub  | Part No. | Description                          | Qty | Unit |
|----------|------|------|----------|--------------------------------------|-----|------|
| 1        |      |      | 345647-6 | PLATE L                              | 1   | PC.  |
| 2        |      |      | 862775-7 | NAME PLATE BFT020F                   | 1   | PC.  |
| 3        |      |      | 183629-8 | HOUSING SET                          | 1   | SET  |
|          |      | INC. |          | Item No. 60                          |     |      |
| 4        |      |      | 233025-1 | COMPRESSION SPRING 2                 | 1   | PC.  |
| 5        |      |      | 418002-6 | SWITCH LEVER                         | 1   | PC.  |
| 6        |      |      | 638274-9 | SWITCH UNIT                          | 1   | PC.  |
| 7        |      |      | 631513-6 | LED CIRCUIT                          | 1   | PC.  |
| 8        |      |      | 417511-2 | F/R CHANGE LEVER                     | 1   | PC.  |
| 9        |      |      | 650536-5 | SWITCH C3Z-5-01                      | 1   | PC.  |
| 10       | 1    |      | 631560-7 | * CONTROLLER                         | 1   | PC.  |
| 10       | 2    |      | 638901-8 | * CONTROLLER UNIT                    | 1   | PC.  |
| 11       |      |      | 631514-4 | BUZZER CIRCUIT                       | 1   | PC.  |
| 13       |      |      | 643800-1 | TERMINAL                             | 1   | PC.  |
| 14       |      |      | 231965-7 | RING SPRING 10                       | 1   | PC.  |
| 15       |      |      | 267143-3 | FLAT WASHER 11                       | 1   | PC.  |
| 16       |      |      | 233005-7 | COMPRESSION SPRING 13                | 1   | PC.  |
| 17       |      |      | 162218-2 | SLEEVE                               | 1   | PC.  |
| 18       |      |      | 265171-2 | PAN HEAD SCREW M4X8 (OLD# 911108-4)  | 1   | PC.  |
| 19       |      |      | 158126-3 | CLUTCH CASE COVER COMPLETE           | 1   | PC.  |
|          |      | INC. | 810220-6 | CAUTION LABEL (TYPE1) - N/L/A        | 1   | PC.  |
|          |      | INC. | 892900-6 | CAUTION LABEL                        | 1   | PC.  |
| 20       |      |      | 317694-7 | CLUTCH CASE                          | 1   | PC.  |
| 21       |      |      | 265145-3 | + PAN HEAD SCREW M4X22               | 4   | PC.  |
| 22       |      |      | 216019-1 | STEEL BALL 3                         | 2   | PC.  |
| 23       |      |      | 324377-2 | SPINDLE M                            | 1   | PC.  |
| 24       |      |      | 211136-2 | BALL BEARING 6801LLB                 | 1   | PC.  |
| 25       |      |      | 257011-8 | RING 12                              | 1   | PC.  |
| 26       |      |      | 211136-2 | BALL BEARING 6801LLB                 | 1   | PC.  |
| 27       |      |      | 231951-8 | RING SPRING 11                       | 1   | PC.  |
| 28       |      |      | 962111-8 | RETAINING RING R-21                  | 1   | PC.  |
| 29       |      |      | 345648-4 | RING 38M                             | 1   | PC.  |
| 30       |      |      | 265127-5 | + PAN HEAD SCREW M4X4                | 1   | PC.  |
| 31       |      |      | 233019-6 | COMPRESSION SPRING 5                 | 1   | PC.  |
| 32       |      |      | 324834-0 | LOCK NUT M12 (OLD# 324281-5)         | 1   | PC.  |
| 33       |      |      | 158408-3 | ADJUST RING COMPLETE (OLD# 153442-8) | 1   | PC.  |
| 34       |      |      | 324296-2 | SPINDLE                              | 1   | PC.  |
| 35       |      |      | 216018-3 | STEEL BALL 5.0                       | 3   | PC.  |
| 36       |      |      | 233447-5 | COMPRESSION SPRING 19                | 1   | PC.  |
| 37       |      |      | 223146-7 | CAM D                                | 1   | PC.  |
| 38       |      |      | 216024-8 | STEEL BALL 4                         | 3   | PC.  |
| 39       |      |      | 223143-3 | CAM C                                | 1   | PC.  |
| 40       |      |      | 216019-1 | STEEL BALL 3                         | 13  | PC.  |
| 41       |      |      | 267247-1 | FLAT WASHER 7                        | 1   | PC.  |
| 42       |      |      | 266305-0 | TORX C.S HEAD SCREW M5X10            | 1   | PC.  |
| 43       |      |      | 125398-5 | CLUTCH ASS'Y K                       | 1   | PC.  |
|          |      | INC. |          | Item No. 32-42,62                    |     |      |
| 44       |      |      | 153443-6 | CARRIER COMPLETE A                   | 1   | PC.  |
| 45       |      |      | 211375-4 | BALL BEARING 6805LLB                 | 1   | PC.  |
| 46       |      |      | 418004-2 | GEAR CASE                            | 1   | PC.  |
| 47       |      |      | 227050-2 | SPUR GEAR 13                         | 3   | PC.  |
| 48       |      |      | 153446-0 | SPUR GEAR 20 COMPLETE                | 1   | PC.  |
| 49       |      |      | 227051-0 | SPUR GEAR 19                         | 3   | PC.  |
| 50       |      |      | 227048-9 | INTERNAL GEAR 47                     | 1   | PC.  |
| 51       |      |      | 267774-8 | LOCK WASHER                          | 1   | PC.  |
| 52       |      |      | 418003-4 | MOTOR BRACKET                        | 1   | PC.  |
| 53       |      |      | 638191-3 | YOKE UNIT                            | 1   | PC.  |
| 54       |      |      | 619129-7 | ARMATURE                             | 1   | PC.  |
| 55       |      |      | 638195-5 | ENDBELL COMPLETE                     | 1   | PC.  |

| Item No. | Type | Sub  | Part No. | Description                                     | Qty | Unit |
|----------|------|------|----------|---|-----|------|
| 56       | 1    |      | 193466-2 | CARBON BRUSH CB-434 2PC/SET (W/O ORIGIN) -N/L/A | 1   | SET  |
|          | 2    |      | 195020-8 | CARBON BRUSH CB-434 2PC/SET (W/ ORIGIN)         | 1   | SET  |
| 57       |      |      | 643933-2 | BRUSH HOLDER CAP                                | 2   | PC.  |
| 58       |      |      | 416764-0 | LENS  | 1   | PC.  |
| 60       |      |      | 819063-3 | MAKITA LABEL                                    | 1   | PC.  |
| 61       |      |      | 265095-2 | PAN HEAD SCREW M3X20                            | 8   | PC.  |
| 62       |      |      | 267276-4 | FLAT WASHER 18                                  | 1   | PC.  |
| 63       |      |      | 125191-7 | GEAR ASS'Y C                                    | 1   | PC.  |
|          |      | INC. |          | Item No. 44-52                                  |     |      |

**ACCESSORIES**

- See catalogue or visit [www.makita.ca](http://www.makita.ca) for more optional accessories -

|     |   |  |          |                            |   |     |
|-----|---|--|----------|----------------------------|---|-----|
| A01 |   |  | 765027-4 | TORQUE ADJUST TOOL         | 1 | PC. |
| A02 |   |  | 193531-7 | 9.6V NI-MH BATTERY BH0920A | 1 | PC. |
|     |   |  | 193536-7 | 9.6V NI-MH BATTERY BH0933A | 1 | PC. |
| A03 | 1 |  | DC18RA   | CHARGER DC18RA             | 1 | PC. |
|     | 2 |  | DC18RC   | CHARGER DC18RC             | 1 | PC. |
|     |   |  | DC24SC   | CHARGER DC24RA             | 1 | PC. |
|     |   |  | DC18SD   | CHARGER DC18SD             | 1 | PC. |
|     |   |  | DC18SE   | AUTOMOTIVE CHARGER DC18SE  | 1 | PC. |